

FK FUKU 福客®

FK-920G

进 取 不 止

FUKE

**Boutique Manufacturing
Conquer The World With Quality**



Basic Configuration

Bucket capacity

1.8m³

Operation weight

4450kg

Rated load

1800kg

Wheel base

2300mm

*We follows the principle of continuous improvement Product performance parameters will be partially changed due to technical improvements without prior notice.

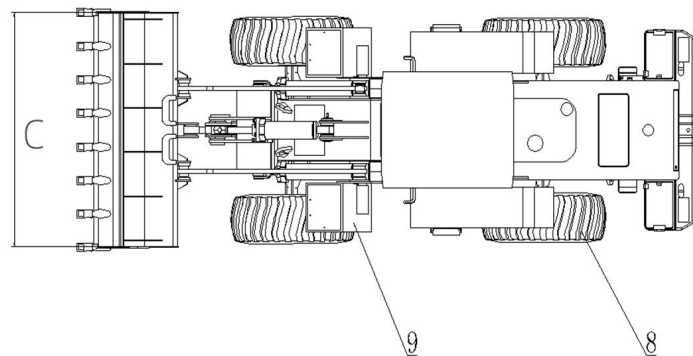
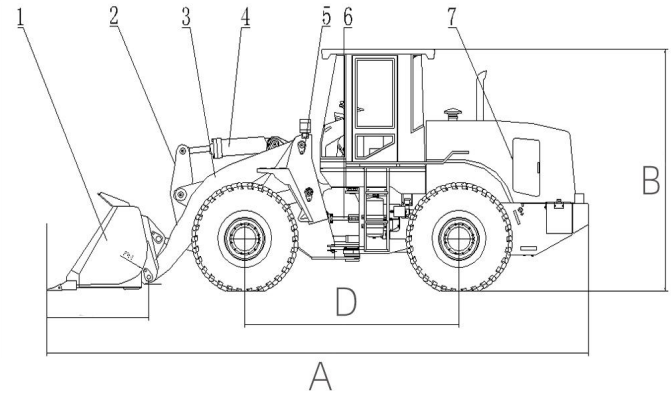
Anhui Fuke Heavy Industry Equipment Co., Ltd.

Web: www.fukeonline.com

Basic Parameters

- Bucket capacity: 1.0m³
- Rated load: 1800kg
- Wheel base: 2300 mm (D)
- Wheel Tread: 1830 mm
- Min. ground clearance: 300mm
- Max. dumping height: 2850mm
- Dump distance: 880mm
- Total times: 9s
- Operation weight: 4450kg
- Engine model: Yuchai
- Rated power: 65kw
- Dimension (L*W*H):4900*1830*2750 mm (A*B*C)
- Tyre: 23.5/70-16
- Strong bearing
- Driving comfort
- Easy maintenance
- Reliable structure
- Excellent efficiency
- Booster
- Car air conditioner
- Protective Device
- GPS positioning
- On-board repair tools
- CD Player
- Fire extinguisher

Loader Outline



Accessories



*We follows the principle of continuous improvement Product performance parameters will be partially changed due to technical improvements without prior notice.

Contact us:

Sun Xianfeng - Phone/Whatsapp:+8613505697380 |

Email:fk002@fukebn.com/fuke7380@gmail.com |

Mr.Zhang - Phone/Whatsapp:+8613291848418 | Email:zh@fukebn.com

Web:

www.fukeonline.com



Type 1 Mechanical Operating System

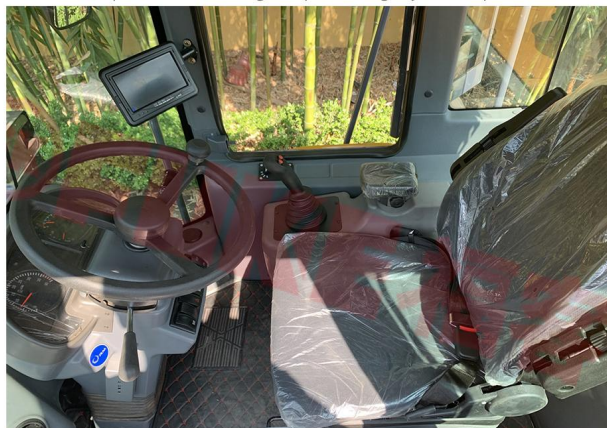


Type 2 Pilot Operating System



Type 3 Advanced Operating Systems

(Pilot and Image Operating Systems)



*We follow the principle of continuous improvement Product performance parameters will be partially changed due to technical improvements without prior notice.

Contact us:

Sun Xianfeng - Phone/Whatsapp:+8613505697380 |

Email:fk002@fukebn.com/fuke7380@gmail.com |

Mr.Zhang - Phone/Whatsapp:+8613291848418 | Email:zh@fukebn.com

Web:
www.fukeonline.com

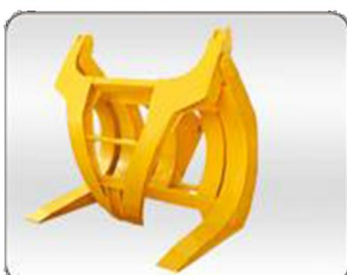


Loader accessories ●

▼ Grass cutter



▼ Clamping machine



▼ Sliding fork



▼ Flat fork



▼ Coal scuttle



▼ Side dump



▼ Rock bucket



▼ Breaker



▼ Snowplow



▼ Snow shovel



▼ Quick change tooling



*We follow the principle of continuous improvement Product performance parameters will be partially changed due to technical improvements without prior notice.

Contact us:

Sun Xianfeng - Phone/Whatsapp:+8613505697380 |

Email:fk002@fukebn.com/fuke7380@gmail.com |

Mr.Zhang - Phone/Whatsapp:+8613291848418 | Email:zh@fukebn.com

Web:

www.fukeonline.com

